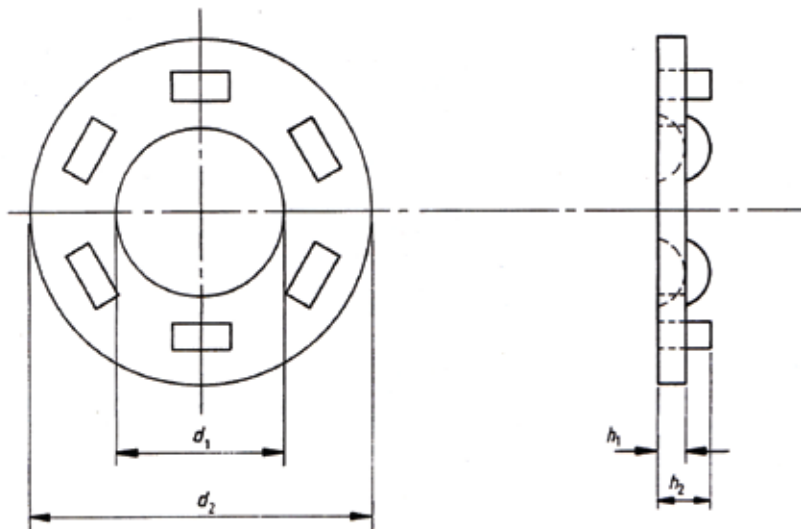


LOAD INDICATOR WASHERS

STRUCTURAL LOAD INDICATOR WASHERS BS7644-1 GRADE 1. (FOR CLASS 8.8 BOLTING) / MECHANICAL GALVANISED

Part	Size	Pack Qty	Price
			\$/100
SWL16G	M16	400	2,448
SWL20G	M20	400	2,833
SWL24G	M24	300	4,102
SWL30G	M30	250	8,225



Dimensions of compressible washer-type direct tension indicators

Nom Dia	Hole size		O/Diameter		h1	h2	Indicator Load Kn
	Min.	Max.	Min.	Max.			
M16	16.80	17.50	31.0	36.5	3.00	6.00	92.1-110.5
M20	21.00	21.80	38.0	43.5	3.5	6.50	144-173
M24	25.00	25.80	48.0	53.5	4.0	7.00	207-248
M30	31.00	32.00	57.0	63.0	4.0	7.00	286-343